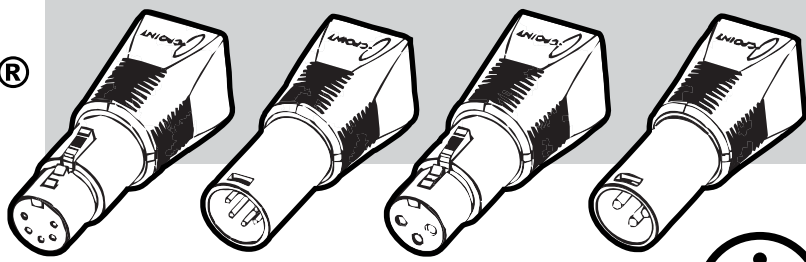


CPOINT® XLRJ45® FACT SHEET



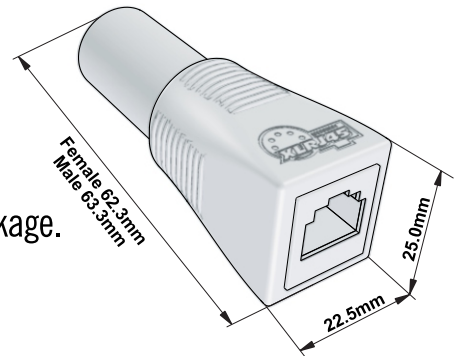
XLR TO RJ45 ADAPTER

FEATURES XLRJ45® is an adapter to convert a CAT-5 ethernet cable of any reasonable length into a DMX512 cable.

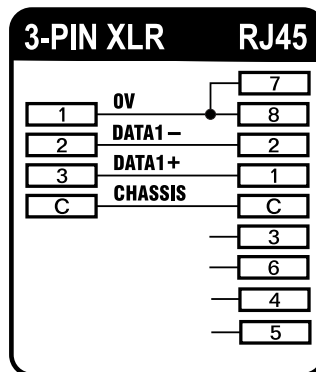
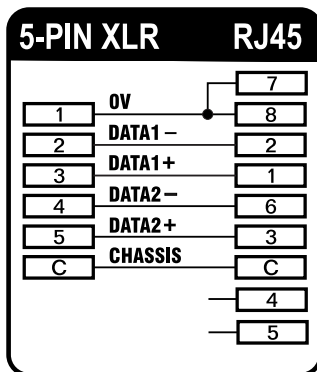


Just two clicks...

- Use of ordinary CAT-5 ethernet cable to make a DMX512 cable.
- Plug directly into any 3 or 5-pin XLR DMX512-controlled equipment.
- Four XLRJ45® versions available, male or female 3-pin or 5-pin XLR to RJ45.
- Combine different adapters as needed.
- Very robust, rugged molded housing with non-slip grip.
- Gold plated pins on connectors.
- Sturdy shell style packaging.
- Weight including packaging, 75gram/2.7oz.
- EAN13 Barcodes, separate code for each XLRJ45® package.
- Easy to use.
- Low cost.
- Available Worldwide.



CONNECTION DIAGRAMS



ORDER CODES

- 3-pin XLR Female, order code XLRJ45-3F.
- 3-pin XLR Male, order code XLRJ45-3M.
- 5-pin XLR Female, order code XLRJ45-5F.
- 5-pin XLR Male, order code XLRJ45-5M.

BLISTER PACKAGING SIZE

