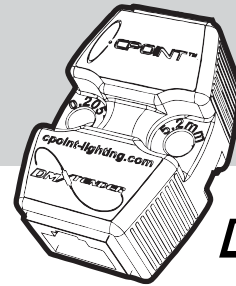




# CPOINT<sup>®</sup> DMXTENDER

## FACT SHEET



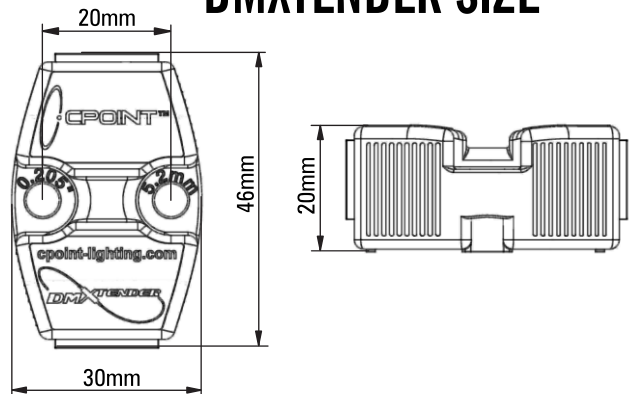
### ROBUST MOUNTABLE CAT-5 CABLE EXTENDER

The DMxtender makes it possible to connect two CAT-5 cables together. The DMxtender can be mounted on a DIN rail as well as onto a two inch rig by using a cable-tie or screwed onto a wall etc. The sturdy design of the DMxtender makes it very suitable for professional use. Together with the CPOINT<sup>®</sup> XLRJ45<sup>®</sup> adapter a DMX512 network can be built very quickly and at a very low cost. With the CPOINT<sup>®</sup> DMXcompander you can run 1536 channels in one CAT-5 cable. Visit the CPOINT<sup>®</sup> website for more information about our products.

## FEATURES

- Use to connect two CAT-5 cables together.
- Gold-plated pins on RJ45 connectors.
- Sturdy molded housing with non-slip grip.
- Mountable on a DIN rail, lighting-rig, wall etc.
- Mountable with 5mm/0.2" screws or cable-tie.
- Weight including packaging, 44 gram/1.55 oz.
- EAN13 Barcode on packaging.
- Sturdy shell style packaging.
- Easy to use.
- Low cost.

## DMXTENDER SIZE



## CONNECTION DIAGRAM

RJ45		RJ45
1	D1+	1
2	D1-	2
3	D2+	3
6	D2-	6
4	(D3+)	4
5	(D3-)	5
7	0V	7
8	0V	8

**NOTE1: PIN5 AND PIN4 ARE UNSPECIFIED BY THE ESTA ASSOCIATION**

**NOTE2: CHASSIS NOT CONNECTED TOGETHER**

**THE UNIVERSAL UNIVERSE 3**  
**NOTE:** The 3rd Universe, pin 4 and pin 5, is unspecified by the ESTA Association. It opens up the 3rd Universe to be used for something else other than DMX512, for example power. A CAT-5 cable wire pair (24AWG x 2) is specified to carry up to 360mA at a maximum of 50V according to the TIA Association.

## BLISTER PACKAGING SIZE



## ORDER CODE

- DMXTENDER-RJ45

